

## Isolator(TGG Based)

### Features

- High Isolation.
- Low Insertion Loss
- Low Polarization-related Losses
- Compact
- High stability and reliability



### Application

- Optical Fiber Amplifier
- Metro Area Network
- Wavelength Add/Drop
- Dispersion Compensation

### Performance Specifications

Parameters	Specifications	Unit
Operating Wavelength	980±5	nm
Insertion Loss(Typical)@23℃	≤0.8	dB
Max Insertion Loss@23℃	≤1.0	dB
Peak Isolation	≥30	dB
Min Isolation@23℃	≥25	dB
Min Return Loss	≥50	dB
Polarization Dependent Loss@23℃	≤0.2	dB
Optical Average Power	2	W
Operating Temperature	10~+50	℃
Storage Temperature	0~+60	℃
Fiber Type	Hi 1060 Fiber	
Fiber Length	1.0 or customize	m
Connector	Customize	
Package size	64×28×26	mm

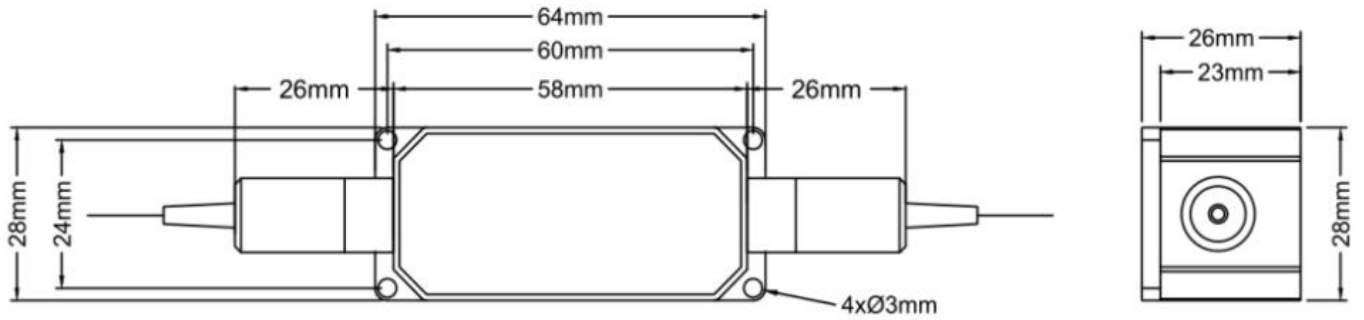
\* The temperature measurement environment is at 23℃

\*\*If the connection head is increased, the insertion loss increases by 0.3dB and the return loss decreases by 5dB, which is reduced by 2dB for the protection product

# High Power Polarization Insensitive 980nm



## Mechanical Dimensions



## Order information:

ISO (Isolator) PN: ISO-XXXXXXXX-XX (ISO+9 Code+2 Serial Number)

ISO	X	XXXX	X	X	X	X	XX
	Type	Center Wavelength	Grade	Fiber Jacket	Fiber Length	Connector	
S	Single Grade	0650 650	P P Grade	0 250um Bare Fiber	0 0.5m	0 none	S N
D	Dual Grade	0850 850	A A Grade	1 0.9mm Loose	1 1.0m	1 SC/UPC	
		980 980	S Special	S Special	2 1.5m	2 SC/APC	
		1310 1310			3 2.0m	3 FC/UPC	
		1400 1400			4 2.5m	4 FC/APC	
		1490 1490			5 3.0m	5 LC/UPC	
		1550 1550			6 3.5m	6 LC/APC	
		1610 1610			7 0.7m	7 ST/UPC	
		000S Special			8 1.2m	8 E2000	
					9 2.7m	9 MU	
					S Special	S Special	

## Hirundo Optics Inc

Factory: 2nd Floor, Building 6, #16 Xinfu Road, Southern Cable Industrial Park, Rongli Ronggui Street, Shunde District, Foshan city, Guangdong 528305 China  
 Tel: 0757-26619220 Email: info@hirundo-link.com Website: https://www.hirundo-link.com