

# 150GHz 32CH AAWG(Flat Top) Module



150G 32CH AAWG module AAWG series products adopt silicon on silicon plane technology, has high performance and reliability, can be used for general DWDM system. Based on a non-thermal design and packaging, it is a completely passive product that does not require any power and temperature control. For 150G AAWG Mux/Demux, it supports up to 32-CH based on a single chipset. Custom wavelength, packaging and fiber options are also available.



## Features

- ❖ Low Insertion Loss
- ❖ High Integration
- ❖ Excellent Uniformity
- ❖ Low PMD
- ❖ High stability and reliability

## Application

- ❖ Telecom 4G/5G
- ❖ Metro Network
- ❖ Backbone Network
- ❖ Data Center

## Performance Specifications

Parameters	Specifications
Operating Wavelength(nm)	1525-1570 (C-band)
Channel	32
Channel Wavelength(THz)	See channel plan
Channel Frequency Interval(GHz)	150
Center Wavelength Bandwidth(GHz)	$\pm 16.25$
Center Wavelength Accuracy(nm)	$\pm 0.05$
-1dB Bandwidth(GHz)	$\geq 75$
-3dB Bandwidth(GHz)	$\geq 90$
Pass band Insertion Loss (dB)	$\leq 6.0$
Adjacent Isolation(dB)	$\geq 25$
Non-Adjacent Isolation(dB)	$\geq 30$
Total Cross Talk(dB)	$\geq 22$
Insertion Loss Uniformity(dB)	$\leq 1.5$
Passband Ripple(dB)	$\leq 0.5$
Polarization-related losses(dB)	$\leq 0.5$
Polarization Mode Dispersion(ps)	$\leq 0.5$
Return Loss(dB)	$\geq 40$
Directivity(dB)	$\geq 45$
Max Optical Power(mW)	250
Operating Temperature( $^{\circ}\text{C}$ )	-5~+65
Storage Temperature( $^{\circ}\text{C}$ )	-40~+85

\*Notes: 1.Insertion Loss tested without connector.

## Package Information

Fiber Length	1m , or others on request
Fiber Type	G657A /customize
Pigtail Type	Ribbon fiber with 900um loose tube fan-out
Dimensinons(mm)	Metal box L120xW70xH11

## Hirundo Optics Inc

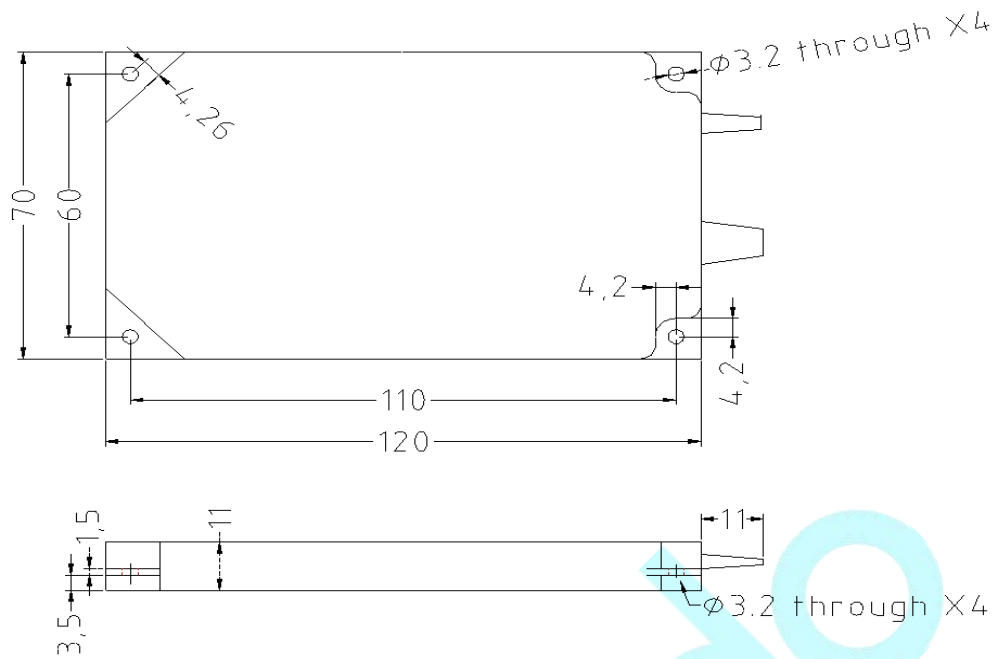
Factory:2nd Floor, Building 6, #16 Xinfa Road, Southern Cable Industrial Park, Rongli Ronggui Street, Shunde District, Foshan city, Guangdong 528305 China  
Tel: 0757-26619220

Email: info@hirundo-link.com

Website: <https://www.hirundo-link.com>

# 150GHz 32CH AAWG(Flat Top) Module

Dimensions(Unit:mm)



## Channel Plan Port AWG - On grid

The AWG operate in C-band. The channels are as follows:

# 150GHz 32CH AAWG(Flat Top) Module



EVEN			ODD		
Label content	Freq (THz)	Wavelength (nm)	Label content	Freq (THz)	Wavelength (nm)
CH01	191.45	1565.90	CH01	191.375	1566.52
CH02	191.6	1564.68	CH02	191.525	1565.29
CH03	191.75	1563.45	CH03	191.675	1564.07
CH04	191.9	1562.23	CH04	191.825	1562.84
CH05	192.05	1561.01	CH05	191.975	1561.62
CH06	192.2	1559.79	CH06	192.125	1560.40
CH07	192.35	1558.58	CH07	192.275	1559.19
CH08	192.5	1557.36	CH08	192.425	1557.97
CH09	192.65	1556.15	CH09	192.575	1556.76
CH10	192.8	1554.94	CH10	192.725	1555.55
CH11	192.95	1553.73	CH11	192.875	1554.34
CH12	193.1	1552.52	CH12	193.025	1553.13
CH13	193.25	1551.32	CH13	193.175	1551.92
CH14	193.4	1550.12	CH14	193.325	1550.72
CH15	193.55	1548.91	CH15	193.475	1549.52
CH16	193.7	1547.72	CH16	193.625	1548.31
CH17	193.85	1546.52	CH17	193.775	1547.12
CH18	194	1545.32	CH18	193.925	1545.92
CH19	194.15	1544.13	CH19	194.075	1544.72
CH20	194.3	1542.94	CH20	194.225	1543.53
CH21	194.45	1541.75	CH21	194.375	1542.34
CH22	194.6	1540.56	CH22	194.525	1541.15
CH23	194.75	1539.37	CH23	194.675	1539.96
CH24	194.9	1538.19	CH24	194.825	1538.78
CH25	195.05	1537.00	CH25	194.975	1537.59
CH26	195.2	1535.82	CH26	195.125	1536.41
CH27	195.35	1534.64	CH27	195.275	1535.23
CH28	195.5	1533.47	CH28	195.425	1534.05
CH29	195.65	1532.29	CH29	195.575	1532.88
CH30	195.8	1531.12	CH30	195.725	1531.70
CH31	195.95	1529.94	CH31	195.875	1530.53
CH32	196.1	1528.77	CH32	196.025	1529.36

## Order information:

AAWG (Athermal AWG) PN: AAWG-XXXXXXXX-XX (AAWG+10 Code+2 Serial Number)

AAWG	XX	XX	X	X	X	X	X	X	XX
	Channel	Start Channel	Package Type	Chip Type	Fiber Length	Connector	Band	Spacing	
	16 16CH	20 C20	A Metal box	F Flat Top	0 0.5m	0 none	C C-band	1 100G	SN
	24 24CH	21 C21	K Rackmount	G Gaussian	1 1.0m	1 SC/UPC	L L-band	2 200G	
	32 32CH	60 C60	S Special	B Broad Gaussian	2 1.5m	2 SC/APC	D C+L band	3 50G	
	40 40CH	...			3 2.0m	3 FC/UPC	O O-band	4 75G	
	48 48CH	ITUChannel			4 2.5m	4 FC/APC	S Special	5 150G	
	64 64CH				5 3.0m	5 LC/UPC			
	80 80CH				6 3.5m	6 LC/APC			
	96 96CH				7 0.7m	7 ST/UPC			
	0S Special				8 1.2m	8 E2000			
					9 2.7m	9 MPO			
					S Special	S Special			

## Hirundo Optics Inc

Factory: 2nd Floor, Building 6, #16 Xinfa Road, Southern Cable Industrial Park, Rongli Ronggui Street, Shunde District, Foshan city, Guangdong 528305 China  
 Tel: 0757-26619220  
 Email: info@hirundo-link.com  
 Website: https://www.hirundo-link.com